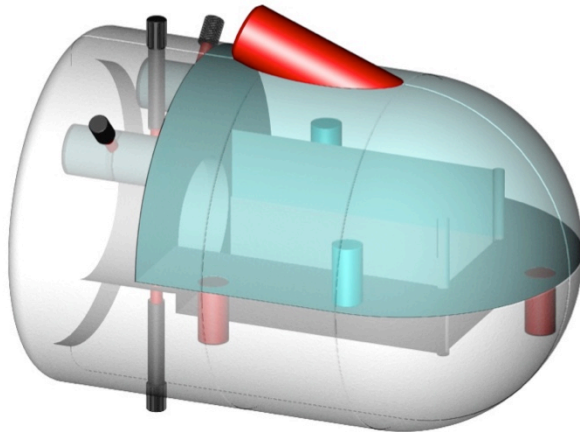


RT-smartSTAXY



RT-smartSTAXY is a compact and simple phantom for precision Stereotactic Radiosurgery. Consisting of just 2 PMMA segments it is easy to position and use.

Sliding the upper face in axial direction opens the inner cavity of 7 x 7 x 14 cm, so 2 RT-smartCUBEs fit precisely in. smartCUBEs are available with a wide range of different features, as ISO center-, Winston-Lutz-, resolution/contrast tests and virtual tumors for point dose measurements.

RT-smartSTAXY can be fixed in different angular positions and is designed to fit to standard head fixation systems, the RT-smartIMRT as neck/head, phantom. A truly smart foldable storage and transportation box makes it easy use the phantom on the Couch.

Features:

- Head shaped PMMA phantom with diameter of 17,5 cm and 26,3 cm length, compatible to head fixations
- Internal cavity for 2 RT-smartCUBE, very variable concept as many different smartCUBEs are available.
- Face with nose as handle, position indicator and thermoplastic masks, simple and robust sliding mechanism
- Engraved lines with white paint for easy adjustment with room lasers
- Marker pins in center plane for define 'horizon'
- Easy fixation on RT-smartIMRT and separate available holders, rotational angle adjustable
- Opening for detector cables through the 'neck'

Application:

- End-to-End Stereotactic Radiosurgery from Imager (CT, MRI, PET) to beam delivery
- Fast point dose verification with small volume detectors and 'Virtual Tumors', also off-axis available

Specifications:

- Phantom Dimension: 17,5 cm diameter, 26, 3 cm length
- Total weight: approx. 4,5 kg
- Phantom material: PMMA, Peek

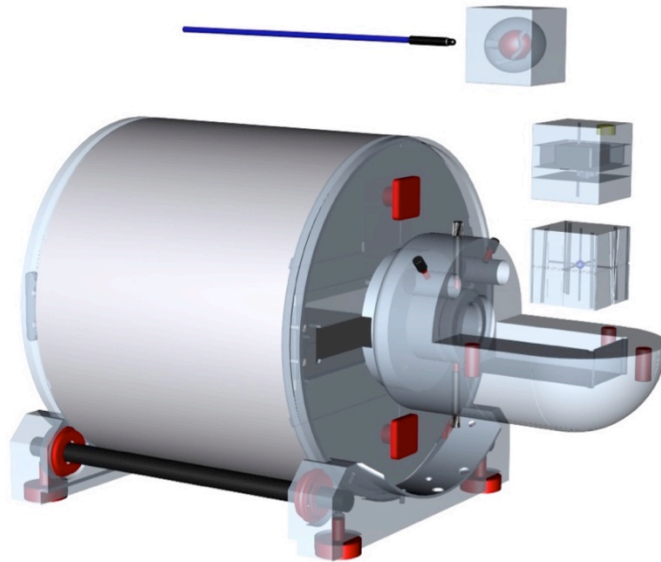
Ordering Information:

- sSTAXY: RT-smartSTAXY phantom
- sSTAXY-Box Box for storage, transportation and operation: protection, container, counterweight
- sCUBE xx different RT-smartCUBE types available

RT-smartSTAXY.

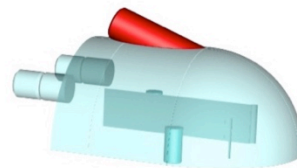
The modular and variable Stereotaxy phantom for various types of measurement setups.

For all Imaging to all Beam delivery. End-to-End Process QA made simple, precise and efficient



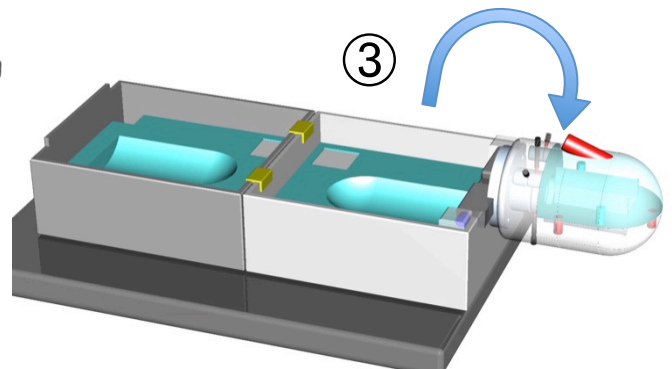
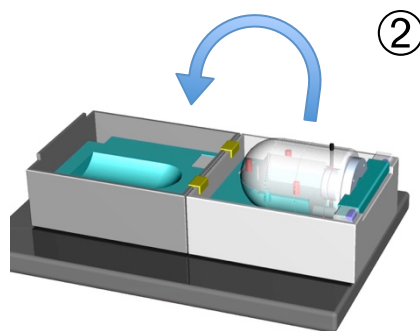
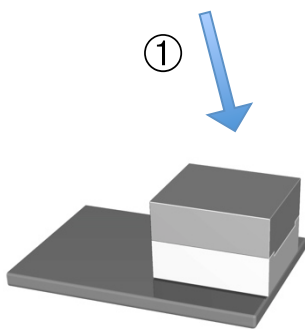
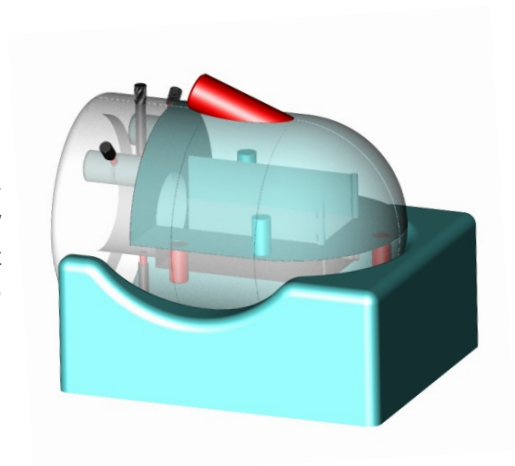
RT-smartSTAXY

as module for the RT-smartTOOLS family, in combination with smartIMRT and smartCUBE's of various types with 'virtualTUMORS' and quality tests.



RT-smartSTAXY

with head fixation or frames. The variety of smartCUBE features allow elegant and comprehensive testing at little efforts.



RT-smartSTAXY

in a truly smart storage, transportation and positioning box. So simple:

1. place the box on the couch head end,
2. open the upper box section and
3. pivot the phantom for immediate start